

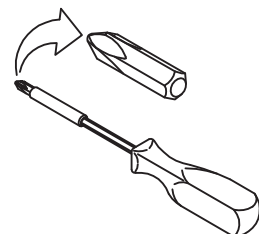
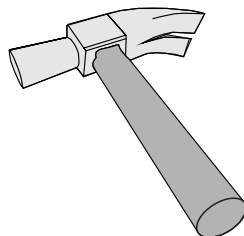
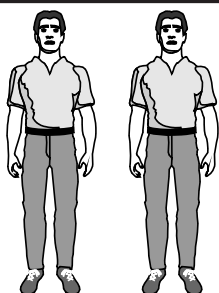
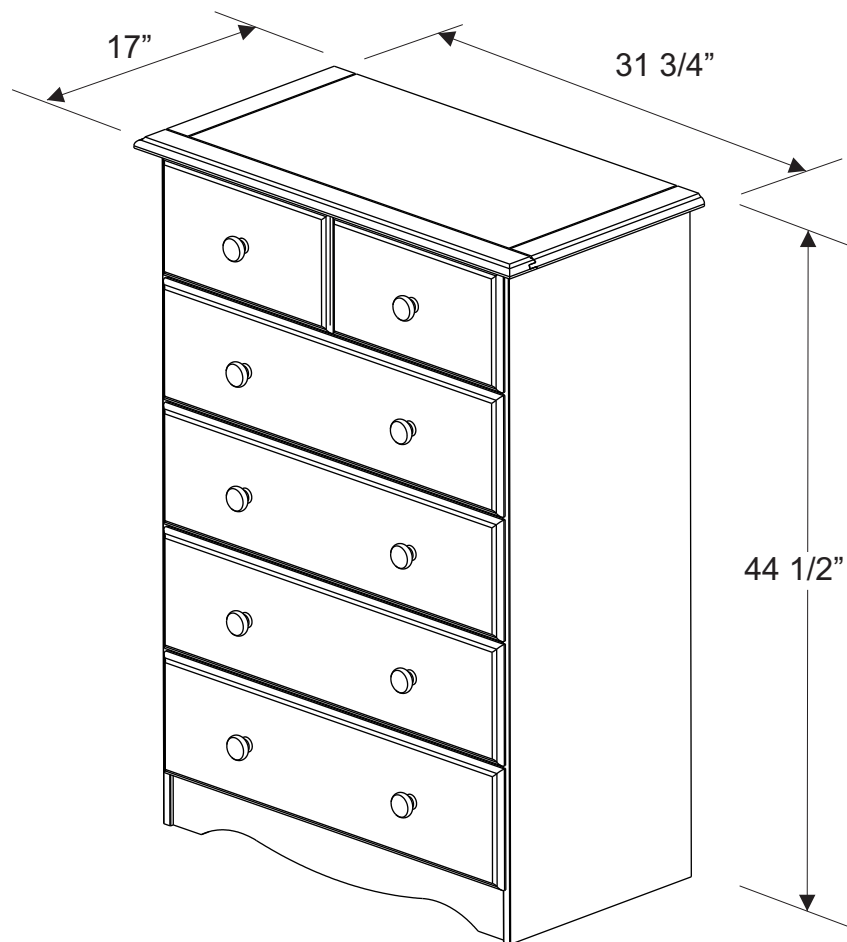
# ASSEMBLY INSTRUCTIONS

## 6-DRAWER CHEST

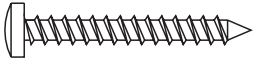



SKU 5362 - Mahogany

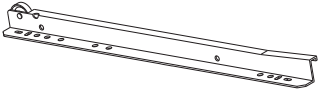
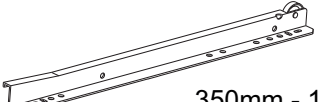
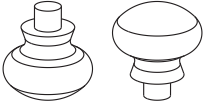
SKU 5364 - Honey Pine

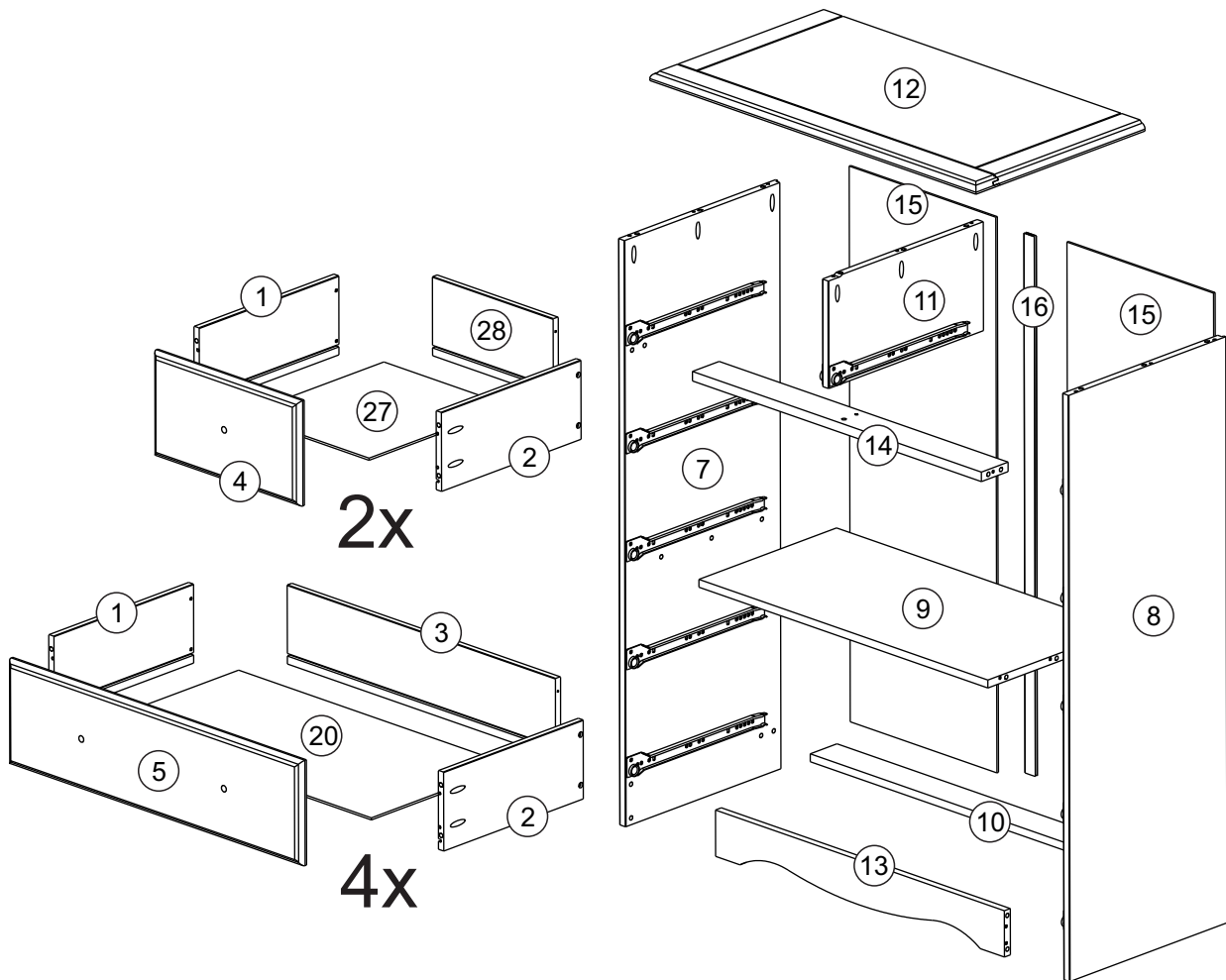
SKU 5366 - Java



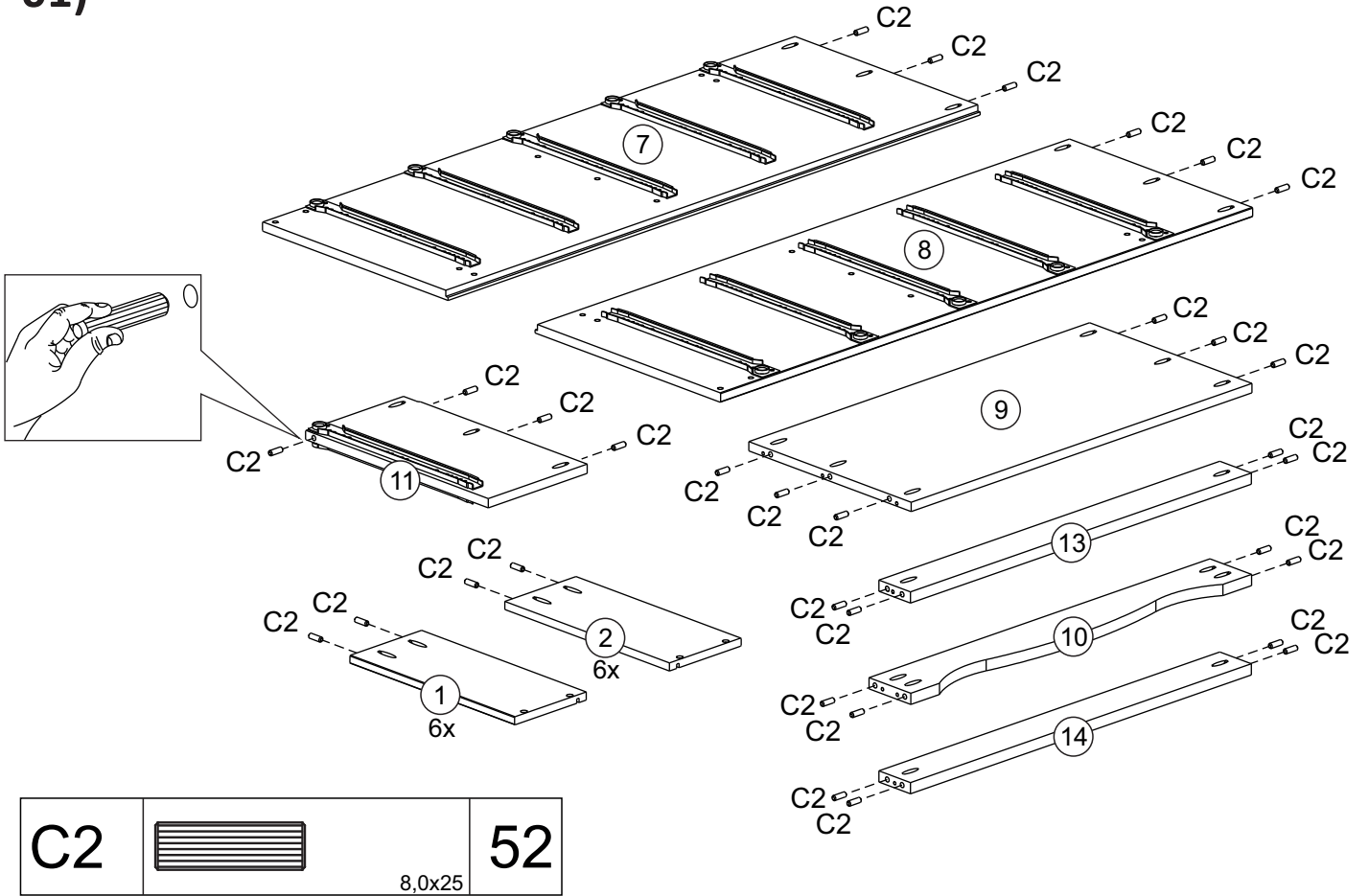
HARDWARE IS SHOWN IN ACTUAL SIZE


<b>A1</b>	 4,0x30	<b>82</b>
<b>A4</b>	 3,5x14	<b>24</b>
<b>C2</b>	 8,0x25	<b>52</b>
<b>G1</b>	 10x10	<b>35</b>

<b>E1</b>	 350mm - 13 3/4"	<b>06</b>
<b>E2</b>	 350mm - 13 3/4"	<b>06</b>
<b>H1</b>		<b>10</b>

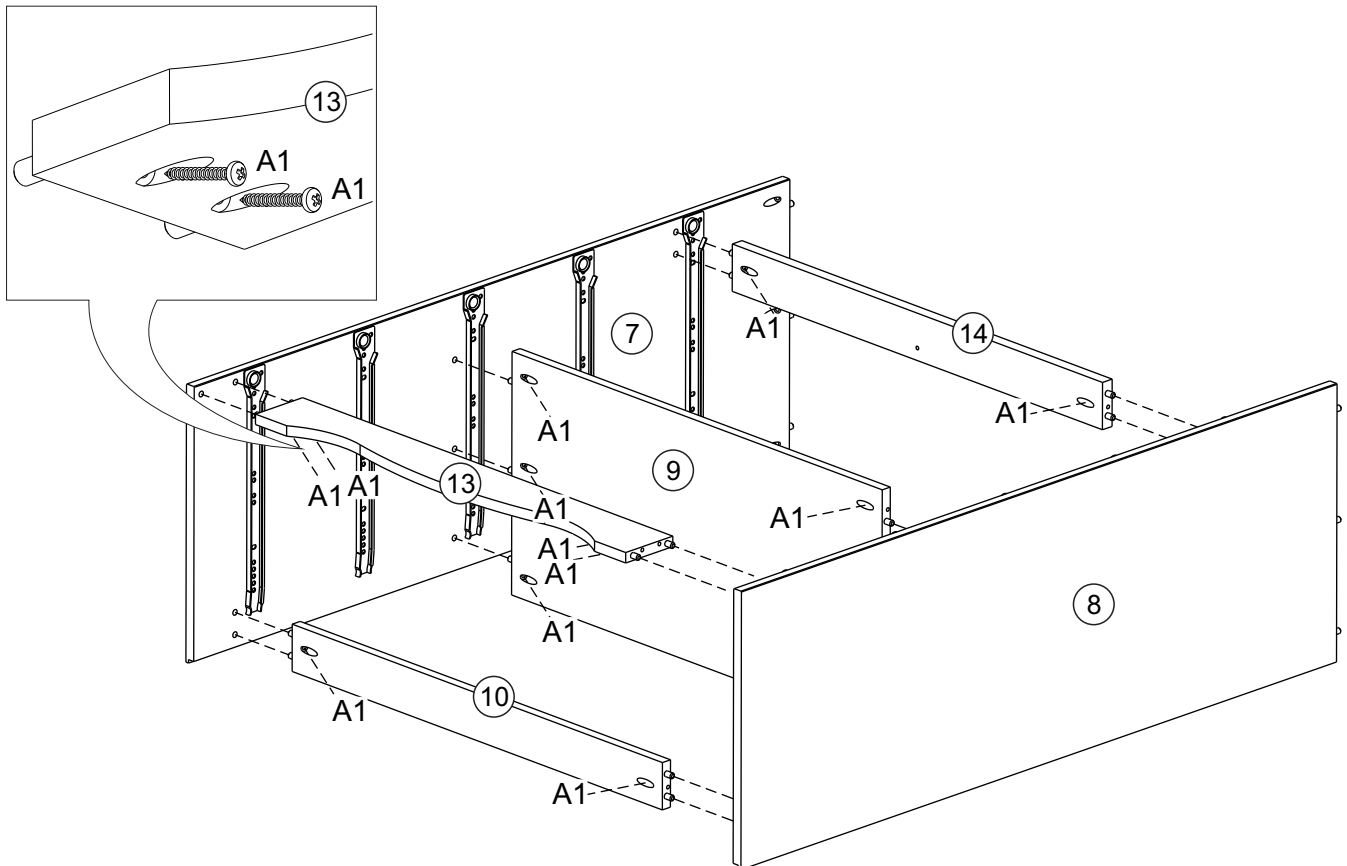


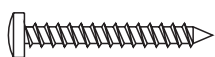
01)



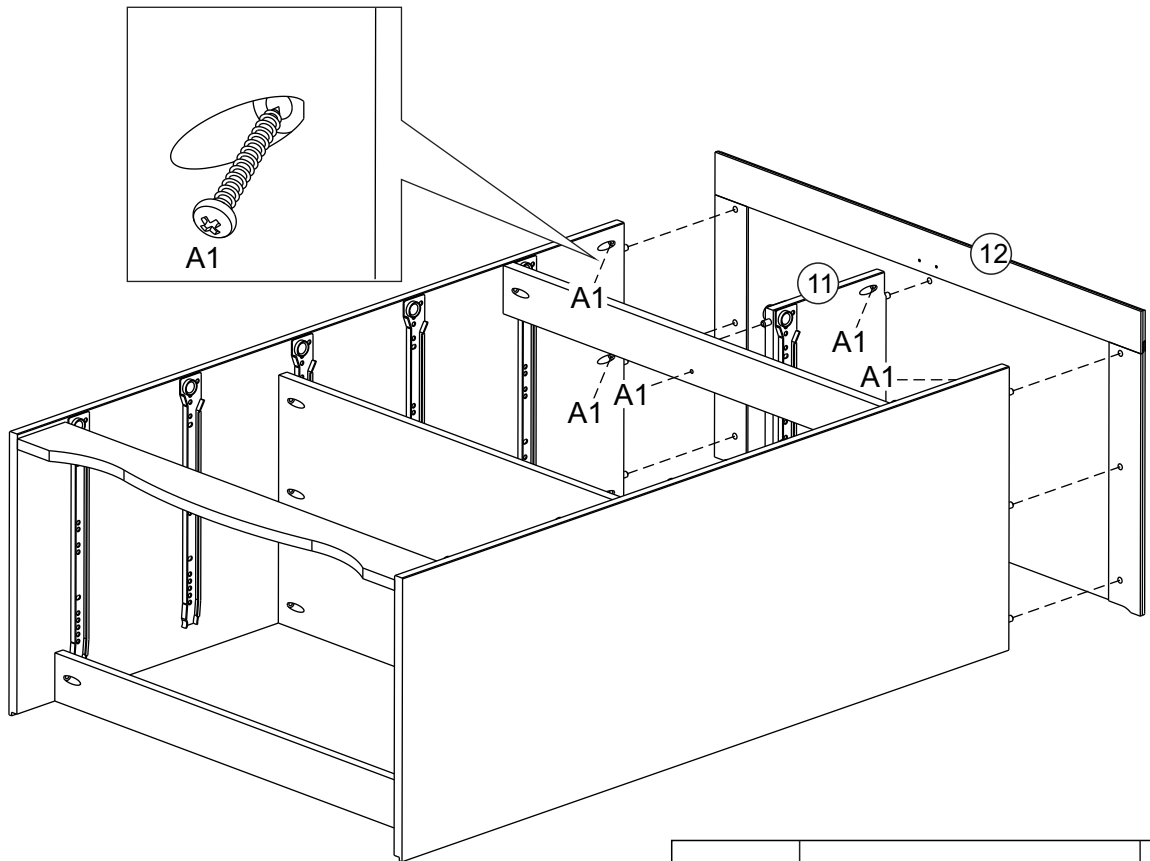
C2		52
		8,0x25


02)



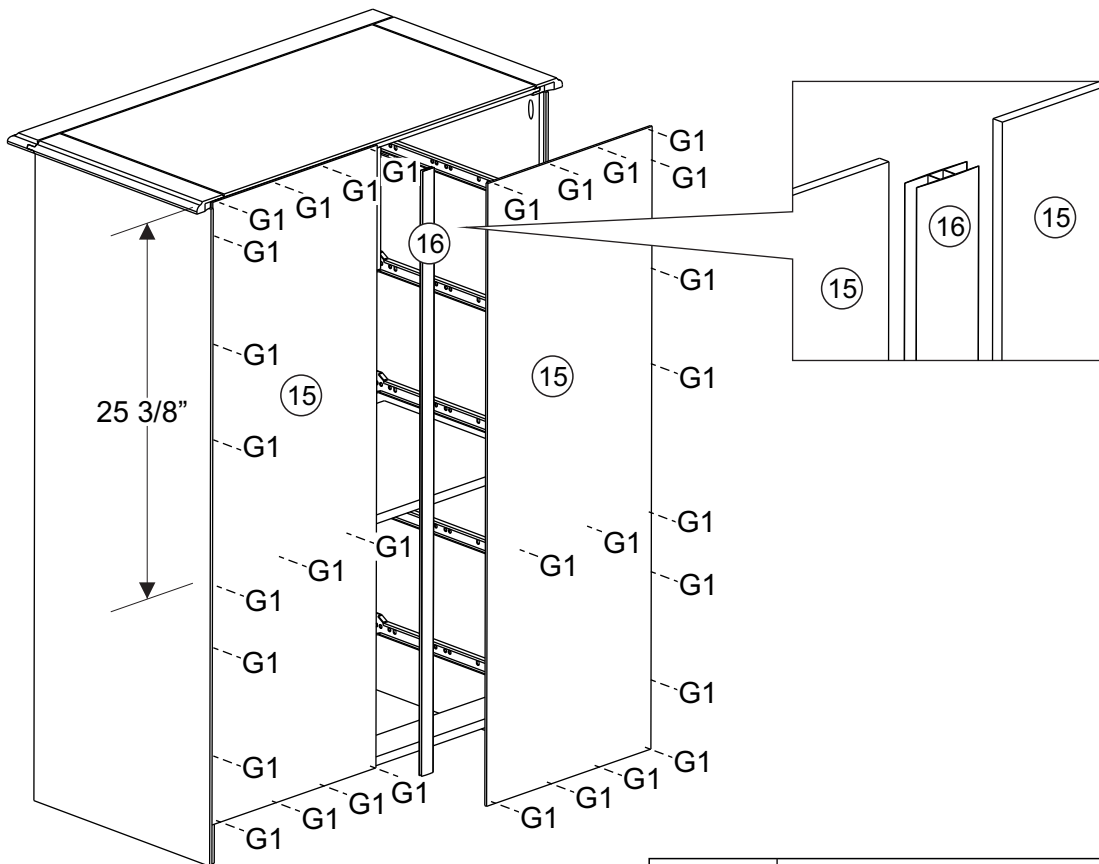
A1		14
		4,0x30


03)



<b>A1</b>		<b>10</b>
		4,0x30

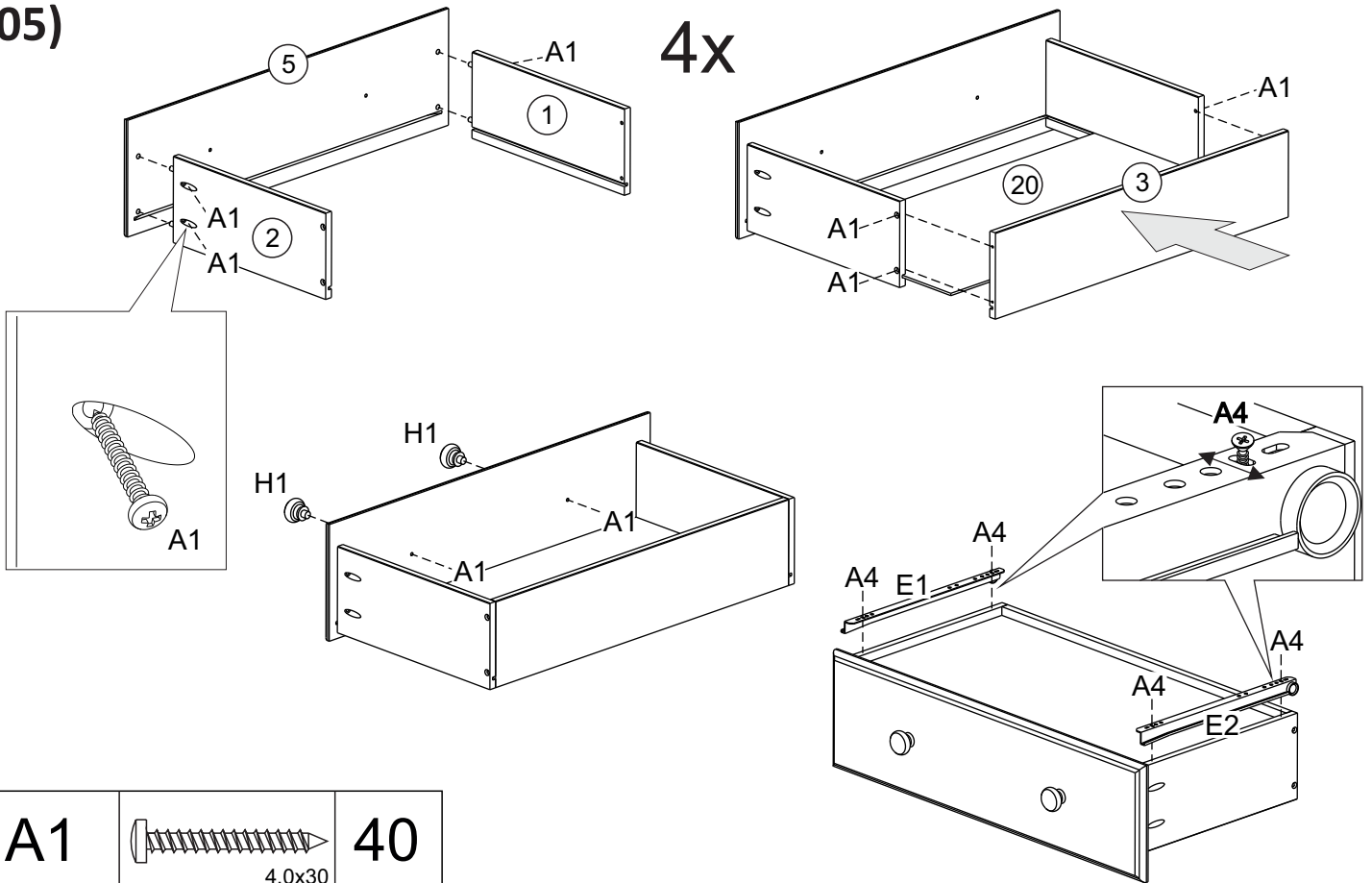
04)






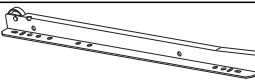
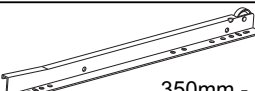
<b>G1</b>		<b>35</b>
		10x10

05)

4x

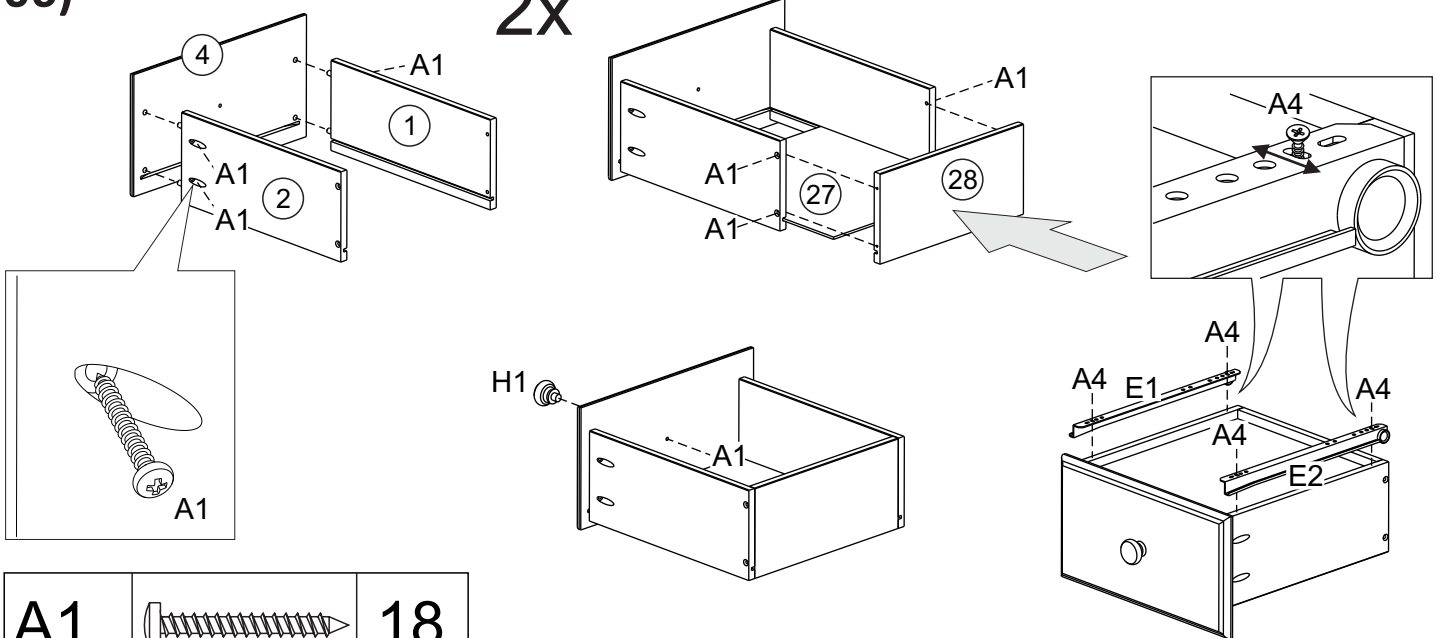


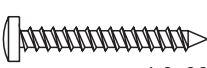


A1	 4,0x30	40
A4	 3,5x14	16
H1		08

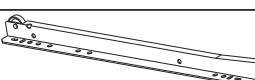
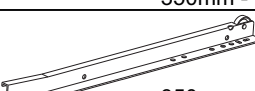
E1	 350mm - 13 3/4"	04
E2	 350mm - 13 3/4"	04

06)

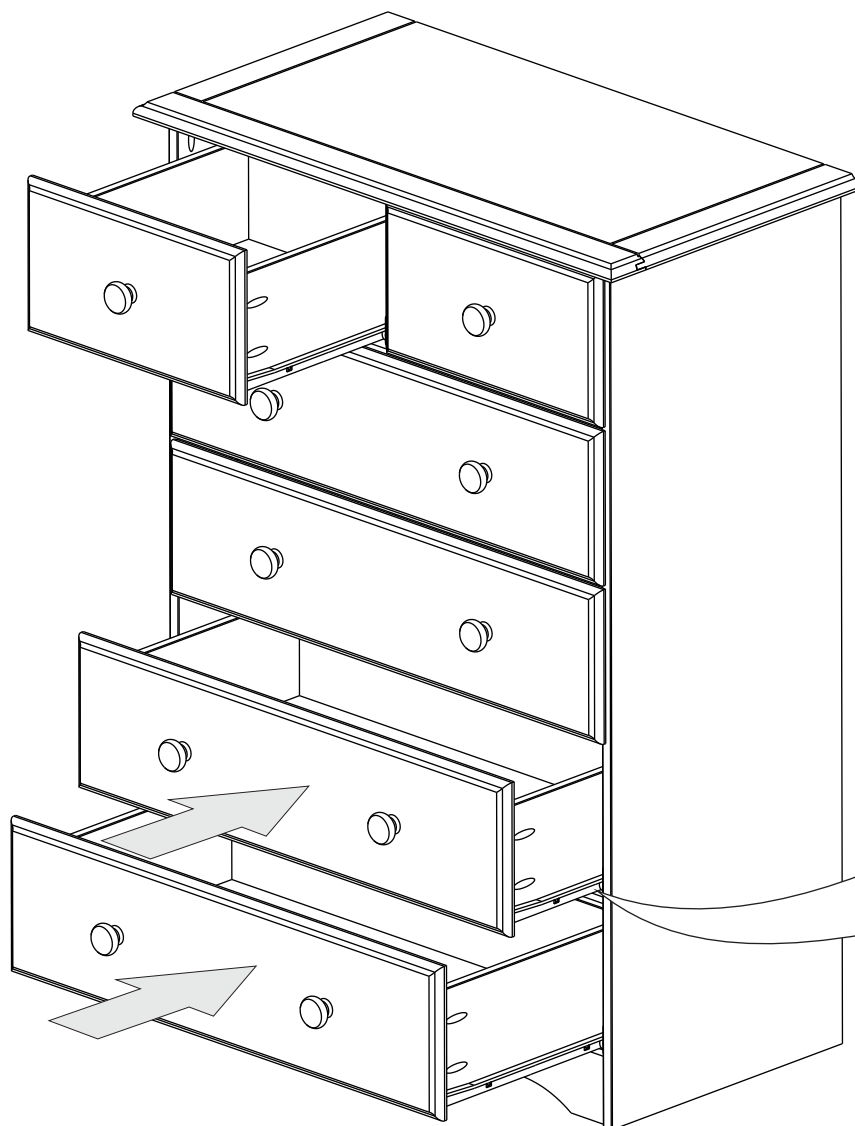
2x



A1	 4,0x30	18
A4	 3,5x14	08
H1		02

E1	 350mm - 13 3/4"	02
E2	 350mm - 13 3/4"	02

07)



If fine tuning on the glides is needed please follow the steps below

